

# RAINHEAD ORDER FORM

From (Customer's Name): .....

Deliver To (Name & Address): .....

Customer Order Number: .....

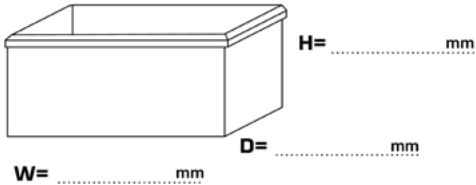
Date Placed: .....

Date Required: .....

Order Placed By: .....

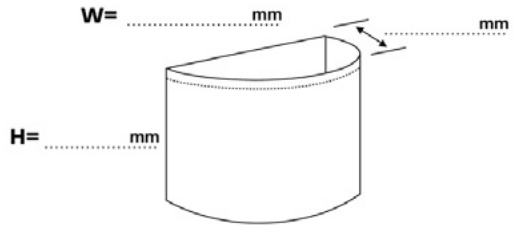
Contact Telephone No: .....

**1** Material: ..... Qty: .....



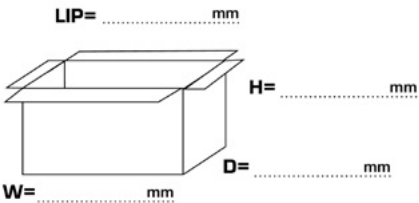
W= ..... mm  
D= ..... mm  
H= ..... mm

**2** Material: ..... Qty: .....



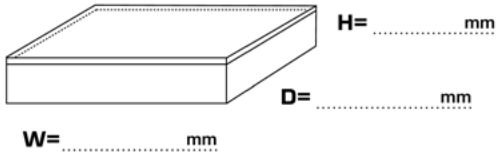
W= ..... mm  
D= ..... mm  
H= ..... mm

**3** Material: ..... Qty: .....



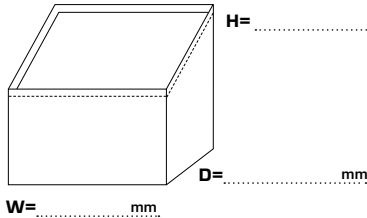
LIP= ..... mm  
W= ..... mm  
D= ..... mm  
H= ..... mm

**4** Material: ..... Qty: .....



W= ..... mm  
D= ..... mm  
H= ..... mm

**5** Material: ..... Qty: .....



W= ..... mm  
D= ..... mm  
H= ..... mm

**6** Material: ..... Qty: .....

**IMPORTANT NOTICE TO CUSTOMERS**

Please read carefully before submitting your order. Please ensure that measurements are accurate and correct. PPC Flashings will not be responsible for any errors as a result of an inaccurate or an incorrect order.

**PRODUCT CHARACTERISTICS**

Thermal expansion is a natural occurring characteristic of steel, copper, titanium, zinc and aluminium products. Therefore, PPC Flashings cannot adjust manufacturing processes to reduce thermal expansion.

**MATERIAL HANDLING AND DELIVERIES**

All products should be kept dry prior to installation. If product becomes wet, separate and dry immediately and always handle with care.

**ESTIMATED DELIVERY TIMES**

Delivery times are subject to change and times and dates are estimates only.

**CLAIMS**

PPC Flashings will not recognise claims after 7 days. Errors and/or product damage needs to be brought to our attention within 24 hours.

**MEASUREMENTS**

All measurements must be in millimetres and tolerances as follows:-

- SHEET LENGTH +/- 7MM AND
- COVERING WIDTH +/- 7MM

**GENERAL TERMS AND CONDITIONS OF SALE AND SUPPLY**

Please note that all product supplied by PPC Flashings are subject to PPC Flashings' Terms & Conditions of Sale and Supply which are incorporated by reference into every contract for the supply of Goods or Services. For our current Terms go to [www.ppcflashings.com.au/termsandconditions](http://www.ppcflashings.com.au/termsandconditions)

**INSTALLATION**

PPC Flashings recommends that our products are installed by a qualified and experienced installer for best results. For further technical support or advice, please contact our team, prior to placing your order or any installation works.

SIGNATURE .....

DATE .....